



- (51) International Patent Classification:
H04B 7/15 (2006.01) *H04B 7/155* (2006.01)
- (21) International Application Number:
PCT/EP2015/078184
- (22) International Filing Date:
1 December 2015 (01.12.2015)
- (25) Filing Language: English
- (26) Publication Language: English
- (30) Priority Data:
1421388.8 2 December 2014 (02.12.2014) GB
- (72) Inventor; and
- (71) Applicant : KOLOKOTRONIS, Dimitris [GR/GR]; 146 Str., Kypseli, 11363 Athens (GR).
- (74) Agent: BISHTON, Amy Virginia; WITHERS & ROGERS LLP, 4 More London Riverside, London Greater London SE1 2AU (GB).
- (81) Designated States (unless otherwise indicated, for every kind of national protection available): AE, AG, AL, AM,

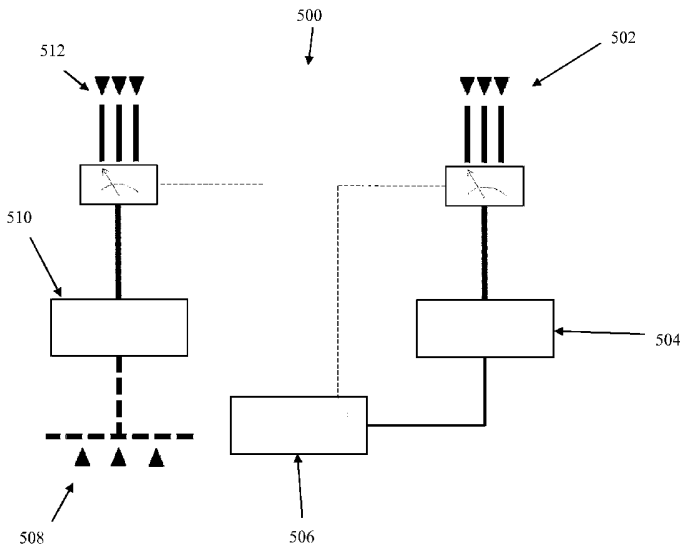
AO, AT, AU, AZ, BA, BB, BG, BH, BN, BR, BW, BY, BZ, CA, CH, CL, CN, CO, CR, CU, CZ, DE, DK, DM, DO, DZ, EC, EE, EG, ES, FI, GB, GD, GE, GH, GM, GT, HN, HR, HU, ID, IL, IN, IR, IS, JP, KE, KG, KN, KP, KR, KZ, LA, LC, LK, LR, LS, LU, LY, MA, MD, ME, MG, MK, MN, MW, MX, MY, MZ, NA, NG, NI, NO, NZ, OM, PA, PE, PG, PH, PL, PT, QA, RO, RS, RU, RW, SA, SC, SD, SE, SG, SK, SL, SM, ST, SV, SY, TH, TJ, TM, TN, TR, TT, TZ, UA, UG, US, UZ, VC, VN, ZA, ZM, ZW.

(84) Designated States (unless otherwise indicated, for every kind of regional protection available): ARIPO (BW, GH, GM, KE, LR, LS, MW, MZ, NA, RW, SD, SL, ST, SZ, TZ, UG, ZM, ZW), Eurasian (AM, AZ, BY, KG, KZ, RU, TJ, TM), European (AL, AT, BE, BG, CH, CY, CZ, DE, DK, EE, ES, FI, FR, GB, GR, HR, HU, IE, IS, IT, LT, LU, LV, MC, MK, MT, NL, NO, PL, PT, RO, RS, SE, SI, SK, SM, TR), OAPI (BF, BJ, CF, CG, CI, CM, GA, GN, GQ, GW, KM, ML, MR, NE, SN, TD, TG).

Published:
— with international search report (Art. 21(3))

(54) Title: DYNAMIC AZIMUTH ADJUSTMENT FOR CELLULAR REPEATER ANTENNA SYSTEMS

Figure 5



(57) Abstract: A mobile vehicle repeater antenna system, comprising: a scanning antenna system comprising one or more scanning antennas, wherein the one or more scanning antennas are configured to receive, for at least a first azimuth heading value and a second azimuth heading value, data comprising mobile communication signal and network parameters, a donor antenna system comprising one or more antennas, wherein the one or more antennas are configured to receive and transmit mobile communication signals, a controller connected to the scanning antenna system and the donor antenna system, wherein the controller is configured to compare the received data for the at least first azimuth heading value and the second azimuth heading value; determine whether the first azimuth heading value or the second azimuth heading value provides optimal network and signal parameters according to pre-defined criteria; and control operation of the one or more antennas of the donor antenna system in accordance with the determination.



Dynamic Azimuth Adjustment For Cellular Repeater Antenna Systems

Field of the invention

This invention relates to cellular repeater antenna systems, and, more specifically, to cellular repeater systems for moving vehicles.

Background of the invention

Cellular reception in or on moving vehicles such as cars, buses, trams, train and ships is often poor because the vehicles are moving through areas which are served by different transmission installations and because the vehicles are predominantly metallic structures which act as Faraday cages and therefore further attenuate cellular signals.

Moving vessels at sea encounter weak reception of mobile communication signals because, in addition to the above, base station antennas are primarily planned, positioned and installed on land in order to serve mainland hotspots. The sea routes along which vessels travel are not usually located in main radiation areas of base station antennas and are generally a long distance away from cellular towers, resulting in significant pathloss.

In order to address weak or poor reception, cellular repeater systems are often used. A cellular repeater (also known as cell phone signal booster or amplifier), is a system used for boosting the cell phone reception in confined or remote areas such as buildings, tunnels, ships and the like. Cellular repeater systems generally comprise three main functional units: a donor external antenna, a signal bi-directional amplifier, and an internal rebroadcast antenna or distributed antenna system.

Due to the translational movement of a vessel along a sea route, the cellular tower providing the best signal for use by the vessel will change; indeed, the direction from which the best serving donor signal is received may be at any azimuth direction - i.e. anywhere 360° around the vessel's horizon. Omnidirectional antennas radiate power uniformly in all directions in one plane, and are therefore selected for in-ship cellular repeater applications. However, omnidirectional donor antennas have extremely low gain (usually 0dBi compared to the

significantly higher gain offered by a typical directional antenna) as a result of the received power based on very low radio link budget between the donor cellular tower and the cellular repeater system (the radio link budget accounts for all of the gains and losses between the transmitter and the receiver). This affects the effectiveness and efficiency of such cellular repeater systems.

It is an aim of the present invention to mitigate at least some of the above mentioned drawbacks of the prior art.

Summary of the invention

According to a first aspect of the invention, there is provided a repeater antenna system for a vessel, comprising: a scanning antenna system comprising one or more scanning antennas, wherein the one or more scanning antennas are configured to receive, for at least a first azimuth heading value and a second azimuth heading value, data comprising mobile communication signal and network parameters, a donor antenna system comprising one or more antennas, wherein the one or more antennas are configured to receive and transmit mobile communication signals, a controller connected to the scanning antenna system and the donor antenna system, wherein the controller is configured to compare the received data for the at least first azimuth heading value and the second azimuth heading value; determine which of the data received for the first azimuth heading value or the second azimuth heading satisfy predefined criteria; and control operation of the one or more antennas of the donor antenna system in accordance with the determination.

Preferably, the donor antenna system and the scanning antenna system comprises a multi directional antenna system comprising two or more directional antennas.

Preferably, the first azimuth heading value and the second azimuth heading value are, respectively, heading values of two of the two or more directional antennas of the multi directional antenna system.

Optionally, the donor and scanning multi directional antenna systems each comprise first, second and third antennas, and wherein the main beam of the first, second and third antenna is positioned at 120, 240 and 360 degrees on the azimuth plane.

The donor antenna system and the scanning antenna system may be comprised in a dual polarisation antenna system, which preferably comprises two or more antennas, wherein each antenna has a first and second polarisation, wherein the first polarisation of the antenna operates as a scanning antenna and the second polarisation operates as a donor antenna.

More preferably, the dual-polarization antenna system is configured to operate as a multi-band, multi-frequency or broadband antenna system. Even more preferably, the dual-polarization antenna system deploys one directional antenna connector per polarization and per radio access technology (RAN) operating band.

Preferably, the first azimuth heading value and the second azimuth heading value are, respectively, heading values of two of the two or more antennas of the dual polarisation antenna system. Preferably, the dual polarisation antenna system comprises first, second and third antennas, and wherein the main beam of the first, second and third antenna is positioned at 120, 240 and 360 degrees on the azimuth plane.

Optionally, the controller comprises a timer and the scanning antenna system comprises a RF power switch, wherein operation of the RF power switch of the scanning antenna system is synchronised with the timer of the controller. The controller is preferably further configured to control the scanning antenna system to collect data by sequencing operation of its directional antennas, wherein the sequenced operation of the antennas is controlling the RF power switch.

Preferably, the sequencing pattern dictates the length of the time periods during which data is collected for each antenna of the scanning multi directional antenna system. The time periods for collecting data are preferably equal adequate for each antenna in the scanning antenna system.

The controller is preferably configured to determine, based on the network and signal parameters received by each scanning antenna during a complete scanning sequence, which directional antenna of the donor antenna system is to be operational during the next scanning sequence.

Optionally, each of the one or more scanning antennas are concurrently operational and collecting data, and preferably the controller periodically compares the data received from all of the one or more scanning antennas.

Optionally, the donor antenna system further comprises a bi-directional amplifier connected to each of the one or more directional antennas and one or more internal panel antennas.

An RF power switch is preferably disposed between the controller and the scanning antenna system and between the controller and the donor antenna system. The controller is optionally connected to each RF power switch of the donor antenna system and the scanning antenna system by coaxial cables.

The RF power switch is further preferably disposed between the bidirectional amplifier and the one or more donor antennas, wherein the RF switch is connected to the controller and operates according to instructions received from the controller.

The controller is preferably configured to adjust operation of the RF power switch disposed between the controller and the donor antenna system so as to select operation of one of the directional antennas of the donor antenna system immediately following completion of a single sequencing pattern of operation of the scanning antenna system.

Preferably, the collected data comprises base station cell identification and received signal strength, and the predefined criteria preferably comprises signal strength, quality and available capacity.

The donor and scanning antenna systems may each comprise an antenna and an antenna azimuth alignment device configured to steer the antenna 360 degrees in the azimuth plane.

According to a second aspect of the invention, there is provided a method for operating a mobile vehicle antenna system, comprising receiving, for at least a first azimuth heading value and a second azimuth heading value, data comprising mobile communication signal and network parameters from a scanning antenna system; comparing the received data for the at least first azimuth heading value and the second azimuth heading value; determining whether the first azimuth heading value or the second azimuth heading value provides

optimal network and signal parameters according to predefined criteria; controlling operation of a donor antenna in accordance with the determination.

According to a second aspect of the invention, there is provided a machine readable medium storing executable instructions that, when executed by a data processing system, cause the system to perform a method for operating a repeater antenna system for a vessel.

Brief description of the drawings

A preferred embodiment of the invention will be described with reference to the appended drawings in which:

Figure 1 is a schematic diagram of an antenna system components on a vessel;

Figure 2a is a side view of a radiation pattern of an omnidirectional antenna;

Figure 2b is a top view of a radiation pattern of an omnidirectional antenna;

Figure 3 is schematic diagram of an omnidirectional donor antenna system;

Figure 4a is side view of a radiation pattern of a three-beam antenna;

Figure 4b is top view of a radiation pattern of a three-beam antenna;

Figure 5 is a schematic diagram of antenna system components according to an embodiment of the invention; and

Figure 6 is a schematic top view of scanning and donor antenna systems located on a vessel.

Detailed description

Figure 1 illustrates a prior art antenna system in a vessel. An outdoor omnidirectional antenna 102 is connected to a four-port repeater 104. The four-port repeater 104 is powered via power supply 106 and is connected to one or more line amplifiers 108 which in turn are connected

to one or more panel internal antennas 110. The omnidirectional antenna 102 acts as a donor antenna which receive donor signal coverage from base station and tower signals from land. The signals are passed to the repeater 104 which amplifies the signals before they are split between line amplifiers 108. The line amplifiers 108 further amplifier the signals before they are split and passed to panel antenna 110 which are located internally in the vessel.

The torus-shaped radiation pattern 202 of an omnidirectional antenna 200, is shown in Figure 2a (side view) and Figure 2b (top view). Radial distance from the centre indicates the power radiated (which reaches a maximum in the horizontal, or azimuth plane and drops to zero directly above and below the antenna. Antenna 200 radiates power equally in all directions in the azimuth plane.

Figure 3 shows an omnidirectional antenna 300, a bi-directional amplifier 302 and three rebroadcast panel antennas 304. The signals collected by omnidirectional antenna 302 are directed to the bi-directional amplifier for amplification and distribution to the rebroadcast antennas. Since the donor external is omnidirectional antenna, signals emanating from all azimuth directions (including background noise) will be collected passed to the bi-directional amplifier 302 and amplified equally. Existing bi-directional amplifiers are high-power and offer maximum gains of around 100dB. However, signals from particular cellular towers cannot be filtered from the background noise, and as such a bi-directional amplifier of high gain will still fail to compensate for the low gain of the omnidirectional antenna.

The present invention utilises one or more directional antennas. An example of a radiation pattern 400 created by three equally spaced directional antennas is shown in Figures 4a (side view) and Figure 4b (top view). Although separate directional antennas used together are discussed, it will be appreciated that a single antenna have multiple directional beams or lobes can also be used. The radiation pattern 400 comprises three separate patterns, each occupying an azimuth range centred on the azimuth heading value of the directional beams of each of the three directional antennas. Although the radiation pattern of each antenna is identical in Figures 4a and 4b, the patterns could be different. The radiation pattern for each separate antenna beam of the 3-beam directional external antenna systems should have at least 3dBi gain.

Figure 5 shows, schematically, the components of an antenna system 500 of the present invention. System 500 comprises a scanning antenna system 502 comprising three directional scanning antennas or a multidirectional antenna having three beams) which is connected to an RF network scanning analyser 504. Both the RF network scanning analyser 504 and the scanning antenna system 502 are in communication with a controller 506. Controller 506 is also in communication with donor antenna system 512 which comprises three directional donor antennas (or a multidirectional antenna having three beams). The donor antenna system 512 is in communication with a bi-directional amplifier 510 which in turn is connected to three internal antennas 508.

Each of the scanning antennas in scanning antenna system 502 is positioned such that the azimuth heading (i.e. the direction of the main beam) is equally spaced from the azimuth heading of the other two antennas. Thus, for three scanning antennas or beams, the azimuth headings will be separated by 120 degrees. The scanning antennas are configured to receive data indicative of mobile communication signal and network parameters, which may comprise, for example, signal strength, available networks, coverage and capacity indicators, bandwidth, etc. The signals and networks data received are those from cellular tower transmitters and base station on the coastline or in nearby land.

The direction of the main beam of each of the donor antennas/lobes in donor antenna system 512 are also equally spaced. In an embodiment where the number of scanning antenna/beams equals the number of donor antenna/beams, the azimuth heading directions of, for example, the first, second and third scanning antennas/beams is the same as the azimuth heading directions of the first, second and third donor antennas/beam - i.e. the two antenna systems are 'aligned' such that their respective antennas/beams are directed to the same azimuth value. This is shown in Figure 6 - scanning antenna system 602 is aligned with donor antenna system 604 on ship 600.

The signals donated by nearby cellular tower are automatically analyzed by the RF network scanning analyser 504 which determines, preferably, at least the Cell-Id and the received signal strength. As will be discussed further below, each of the scanning antennas (or beams of a multidirectional scanning antenna) operate according to a timed sequence pattern. The signal information is determined by the RF network scanning analyser 504. Information is passed from the RF network scanning analyser 504 to controller 506.

Controller 506 controls operation of the scanning antenna system 502 according to defined criteria, such that only one of the three scanning antennas/beams are operating and therefore receiving signal and network data at any one time. Operation of the scanning antenna system 502 is sequenced such that a first scanning antenna/beam is operating for a set time period, and, on expiry of the set time period, a second scanning antenna/beam is operational for the same set time period, and, on expiry of that time period, a third scanning antenna/beam is operational for the same set time period. The sequenced operation of the scanning antenna system 502 then begins again such that the sequenced operation is continuous.

Only a single feeding line per antenna/beam (for both the scanning and donor antenna systems) is required. Both the donor and scanning antenna system are connected to multiple individual coaxial cables each - one per antenna or beam. Power feed to each of the scanning antennas/beams is by a RF power switch circuitry (not shown, but disposed between the network analyser and the scanning antennas) comprising a timer. The timer of the switching circuitry is synchronized with the controller 506 such that the controller is able to 'match' information received from the RF network scanning analyser 504 to a particular scanning antenna/beam.

At the end of the first complete sequence pattern (i.e. after each of the three scanning antennas/beams has been operational for, for example, 20 seconds), the controller 506 analyses and compares the data received from the RF network scanning analyser 504 relating to the signals received from each antenna/beam to determine from which of the three antennas/beams the 'best' data was received. Determining which data is 'best' is based on predefined criteria. The criteria will depend on the specific circumstances of each implementation and the controller can be reconfigured accordingly. For example, the predefined criteria could comprise, solely, signal strength. The 'best' data will therefore be the strongest signal. The best data may be determined by an algorithm to take account of coverage, signal strength, available networks, etc.

Optimum donor signals for retransmission are those that satisfy minimum coverage and capacity requirements. Their maximum retransmission distance should be less than the technology allows (after adding radio propagation delays due to amplification and filtration). For example, a donor cell signal could be of better coverage at the location of retransmission

interest but of limited capacity (i.e. the donor cell is serving high traffic on mainland hotspots). Such signals are generally undesirable for use in cellular repeater applications.

Once the best data (and the particular scanning antenna/beam which provided that best data) has been determined, the controller 506 controls operation of the donor antenna 512 based on the known direction of the scanning antenna which provided the best data. Three donor antennas/beams are depicted in Figure 5. The azimuth heading value of each donor antenna is, similarly to the scanning antenna, equally separated from each of the other antenna by 120 degrees.

RF power switch circuitry is also connected to the donor antenna system 512, disposed between the bi-directional amplifier and the donor antennas. After the selection process is completed, controller 506 instructs the second RF power switch module to operate a donor antenna/beam which is equivalently orientated (in terms of azimuth heading value) to the scanning antenna/beam which provided the optimum donor signals (as determined by controller 506). The RF feeding to the bi-directional amplifier is changed accordingly. It will be appreciated that the analysis and determination by the controller 506 will occur while the second sequenced pattern is underway. At the end of every complete sequence of operation of the scanning antenna system 502 (e.g. after 60 seconds (20 seconds scanning for each scanning antenna/beam)), the controller determines the particular donor antenna/beam which is to be in operation until the current sequence of operation of the scanning antenna system 512 is complete (after which the controller 506 again determines which donor antenna/beam to switch on). In one embodiment, there may be a period of time (shorter than a complete sequence of operation of the scanning antenna system) immediately following the end of a complete sequence during which the earlier, existing donor antenna/beam is active as well as the new donor antenna/beam - i.e. there is an overlap in donor antenna/beam operation to facilitate base station handover.

In an alternative embodiment, the scanning antenna system and donor antenna system are combined by use of dual polarization antennas. In this configuration, a single triple-sector dual-polarization multi-band antenna system (such as, for example, a Galtronics Extent T5622 or a Kathrein 84010515/6 or similar), housed under a single radome, operates as both the scanning and donor antenna systems. Each antenna/sector has a dual polarisation (such that each antenna/sector operates as a pair of antennas) e.g. cross polarisation at +45 degrees

and -45 degrees. A single polarisation acts as a single scanning or donor antenna. Each antenna/sector (i.e. each pair) has a donor and scanning feeding line (a coaxial cable). A controller therefore receives 6 feeding lines to RF ports of the controller. A high power RF switch PCB comprises the repeater system driver connection (while also serving as the physical connection to the donor antenna system). The controller controls operation of the scanning antennas in a similar manner to that described above.

The controller collects the received mobile signals from the scanning antenna systems, analyses and compares the information received from each scanning antenna (in real or near-real time) and outputs an operational instruction to the high power RF switch. The high power RF switch PCB connects the repeater system with the respective donor antenna system according to the determination (as discussed above), by the controller, of which scanning antenna provides optimal signals. Use of a dual polarisation antenna system saves space (particularly relevant on a vehicle) and cost.

In alternative embodiments, there may be more or less than three scanning antennas/beams. The higher the number of beams that can be provided from the multi-beam directional external antenna systems (donor and receiving) in the azimuth plane, the higher the retransmission gain (donor) and the positioning accuracy (receiving) of the donor cell tower signals.

Different RF power switch configurations, e.g. 1:4, 1:8, 1:16 RF power switch modules, for different time patterns, e.g. 5, 7, 9 seconds time periods and for different multi-beam directional external antenna receivers, e.g. four, eight, sixteen beams, may be employed.

A single directional scanning antenna may be re-positioned at set time intervals by a motorised azimuth alignment device in order to scan 360 degrees of the azimuth plane in a specified time period. A single directional donor antenna may also be re-positioned by a motorised azimuth alignment device in accordance with the controller determination regarding optimum received signals. In this embodiment, a motorised azimuth alignment device re-position the scanning antenna and/or the donor antenna, the antennas comprise a built-in GPS module. An azimuth alignment device, under control of the controller, steers the scanning and/or donor antenna 360° in the horizontal plane. The scanning antenna is re-adjusted at pre-defined time intervals by a pre-defined angle. The time intervals and extent of

movement about the azimuth plane after each time interval will depend on the specific circumstances such as coverage, speed of movement, etc. Synchronisation of the antenna and controller timers and operation of the RF network analyser is similar to that discussed above. After the scanning antenna has collected signal information at equally spaced angles about the azimuth plane for a time period (preferably equal for each antenna) sufficient to collect a sufficient amount of data for the network analyser to analyse the signals, the controller determines the direction from which the optimal signals were received and instructs an azimuth alignment device to re-position the single directional donor antenna such that the direction of the main beam is the same as the direction of the main beam of the scanning antenna at which the optimum signals were received.

Both the scanning and donor azimuth alignment device have a build-in GPS module, a differential GPS module (D-GPS), and/or a gyroscopic compass such that the azimuth alignment device can accurately determine the direction of the antenna with respect to a particular reference, such as grid or true North.

The main beam azimuth direction of both the scanning and donor directional antennas are aligned initially (i.e. when installed) to the vessel's bow, or at a known offset from the bow. Preferably, the antenna is re-positioned with respect to the vessel's bow. Since the direction of the antenna with respect to North can be determined, and the initial position of the antenna with respect to the bow is known, it is possible to determine the direction of the antenna (when not in the initial position) relative to the bow (and therefore the direction of movement of the vessel). A build-in optical encoder and/or an electrical potentiometer module enable the azimuth alignment device to align the antenna relative to the vessel's direction of movement which in turn is relative to North.

Preferably, the azimuth alignment device is able to re-position the antenna heading by a maximum of 5° at any one time. Given the relative narrow vertical plane radiation of directional antennas, the relatively low movement speeds of vessels and relative high long between the ship and donor cell towers, the azimuth alignment device attached to the selected directional donor external antenna re-adjusts the donor antenna to a high accuracy. In some embodiments, a control system of the azimuth alignment device receives an antenna movement command from an external triggering module. A motor of the alignment device moves an antenna mounting bracket and locks the antenna bracket in the desired position.

Azimuth alignment devices are discussed in the applicant's prior published patent applications WO2013171291 and WO2013011002, the contents of which are hereby incorporated by reference where permitted.

A single directional scanning antenna may be used with a single directional donor antenna. A single directional scanning antenna could be used with a multidirectional donor antenna system comprising multiple antennas/beams and similarly a multidirectional scanning antenna system comprising one or more scanning antenna/beams could be used with a single directional donor antenna.

The present invention allows for an in-ship repeater system that adjusts a high gain directional donor antenna system dynamically based on real time measurements collected from a directional receiving external antenna system, in order to optimize radio link budgets and improve the in-ship network performance experienced by mobile devices serviced by the in-ship repeater system.

Claims

1. A mobile vehicle repeater antenna system, comprising:
 - a scanning antenna system comprising one or more scanning antennas, wherein the one or more scanning antennas are configured to receive, for at least a first azimuth heading value and a second azimuth heading value, data comprising mobile communication signal and network parameters,
 - a donor antenna system comprising one or more antennas, wherein the one or more antennas are configured to receive and transmit mobile communication signals, wherein the donor antenna system is connected to a bi-directional amplifier,
 - a controller connected to the scanning antenna system and the bi-directional amplifier, wherein the controller is configured to
 - receive, process and compare the received mobile communication signals for the at least first azimuth heading value and the second azimuth heading value;
 - determine whether the first azimuth heading value or the second azimuth heading value provides optimal network and signal parameters according to predefined criteria; and
 - control connectivity of the bi-directional amplifier with the one or more donor antennas of the donor antenna system in accordance with the determination.
2. The system of claim 1, wherein the donor antenna system comprises a multi directional antenna system comprising two or more directional antennas.
3. The system of any preceding claim, wherein the scanning antenna system comprises a multi directional antenna system comprising two or more directional antennas.
4. The system of claim 3, wherein the first azimuth heading value and the second azimuth heading value are, respectively, heading values of two of the two or more directional antennas of the multi directional antenna system.
5. The system of claims 2 and 3, wherein the donor and scanning multi directional antenna systems each comprise first, second and third antennas, and wherein the main beam of the first, second and third antenna is positioned at 120, 240 and 360 degrees on the azimuth plane.

6. The system of claim 1, wherein the donor antenna system and the scanning antenna system are comprised in a dual polarisation antenna system.
7. The system of claim 6, wherein the dual polarisation antenna system comprises two or more antennas, wherein each antenna has a first and second polarisation, wherein the first polarisation of the antenna operates as a scanning antenna and the second polarisation operates as a donor antenna.
8. The system of claim 7, wherein the first azimuth heading value and the second azimuth heading value are, respectively, heading values of two of the two or more antennas of the dual polarisation antenna system.
9. The system of claim 7, wherein the dual polarisation antenna system comprises first, second and third antennas, and wherein the main beam of the first, second and third antenna is positioned at 120, 240 and 360 degrees on the azimuth plane.
10. The system of any preceding claim, wherein the controller comprises a timer and the scanning antenna system comprises an RF power switch, wherein the RF power switch of the scanning antenna system is synchronised with the timer of the controller.
11. The system of claim 10, wherein the controller is further configured to control the scanning antenna system to collect data by sequencing operation of its directional antennas, wherein the sequenced operation of the antennas is controlled by the timer.
12. The system of claim 10 or claim 11, wherein the sequencing pattern dictates the length of the time periods during which data is collected for each antenna of the scanning antenna system.
13. The system of claim 12, wherein the time periods for collecting data are equal for each antenna in the scanning antenna system.
14. The system of claim 13, wherein the controller is configured to determine, based on the network and signal parameters received by each scanning antenna during a complete

scanning sequence, which directional antenna of the donor antenna system is to be operational during the next scanning sequence.

15. The system of any of claims 1 to 10, wherein each of the one or more scanning antennas are concurrently operational and collecting data, and preferably wherein the controller periodically compares the data received from all of the one or more scanning antennas.

16. The system of any preceding claim, wherein the donor antenna system comprises one or more internal panel antennas.

17. The system of any preceding claim, further comprising an RF power switch disposed between the controller and the scanning antenna system.

18. The system of any preceding claim, further comprising an RF power switch disposed between the bidirectional amplifier and the one or more donor antennas, wherein the RF switch is connected to the controller and operates according to instructions received from the controller.

19. The system of claim 17, wherein the controller is connected to the RF power switch of the scanning antenna system by coaxial cables.

20. The system of claim 18, wherein the controller is configured to adjust operation of the RF power switch disposed between bidirectional amplifier and the one or more donor antennas so as to select operation of one of the directional antennas of the donor antenna system immediately following completion of operation of the scanning antenna system.

21. The system of any preceding claim, wherein the collected data comprises base station cell identification and received signal strength.

22. The system of any preceding claim, wherein the predefined criteria comprise signal coverage, quality and capacity indicators.

23. The system of claim 1, wherein the donor antenna system comprises an antenna and an antenna azimuth alignment device configured to steer the antenna 360 degrees in the azimuth plane.
24. The system of claim 1, wherein the scanning antenna system comprises an antenna and an antenna azimuth alignment device configured to steer the antenna 360 degrees in the azimuth plane.
25. A method for operating a mobile vehicle antenna system, comprising
receiving, for at least a first azimuth heading value and a second azimuth heading value, data comprising mobile communication signal and network parameters from a scanning antenna system;
comparing the received data for the at least first azimuth heading value and the second azimuth heading value;
determining whether the first azimuth heading value or the second azimuth heading value provides optimal network and signal parameters according to predefined criteria; controlling operation of a donor antenna in accordance with the determination.
26. A machine readable medium storing executable instructions that, when executed by a data processing system, cause the system to perform the method according to claim 25.

Figure 1

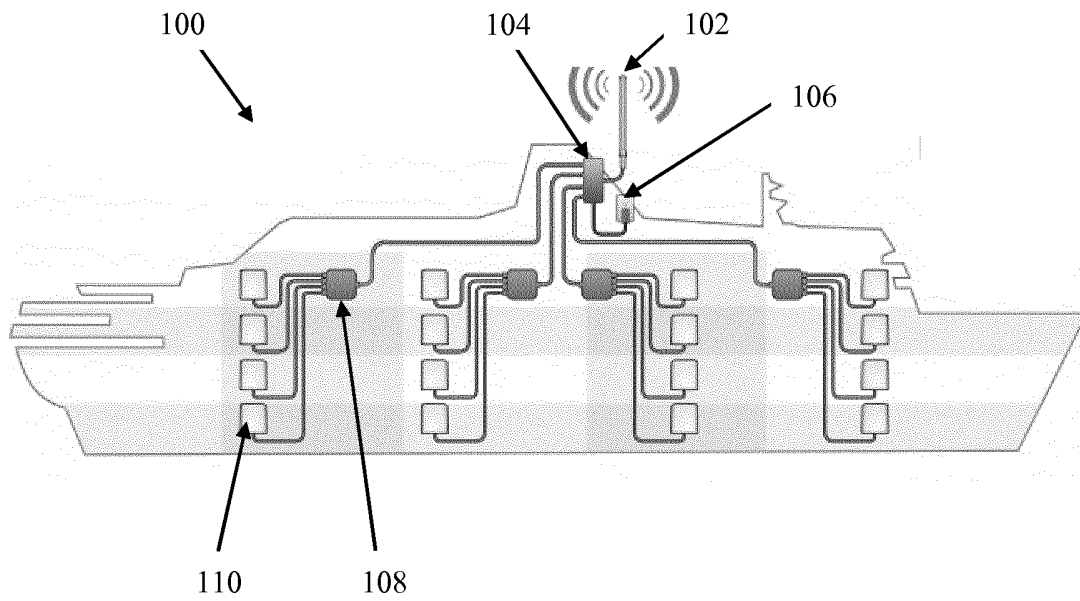


Figure 2a

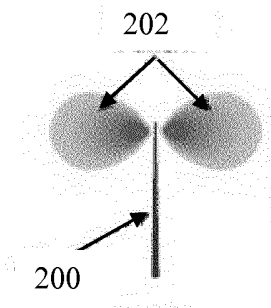


Figure 2b

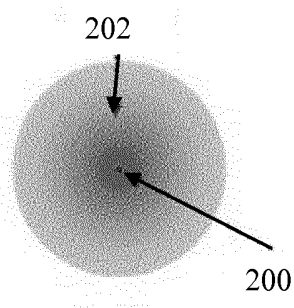


Figure 3

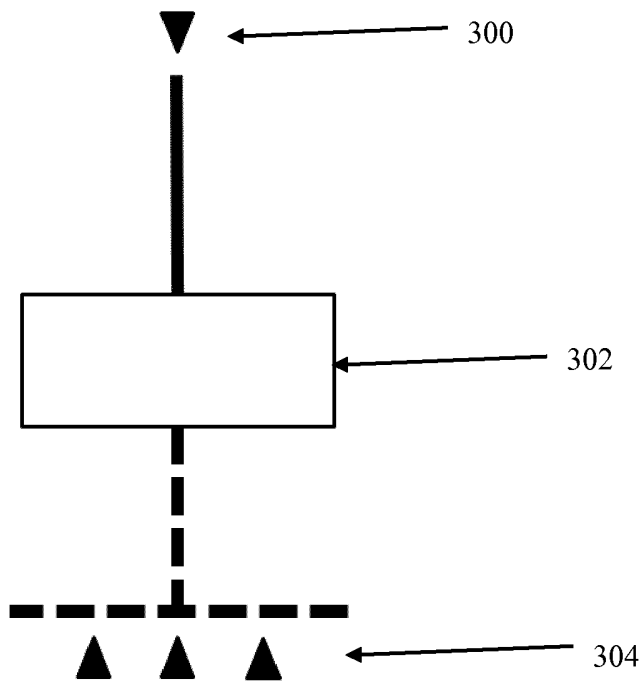


Figure 4a

Figure 4b

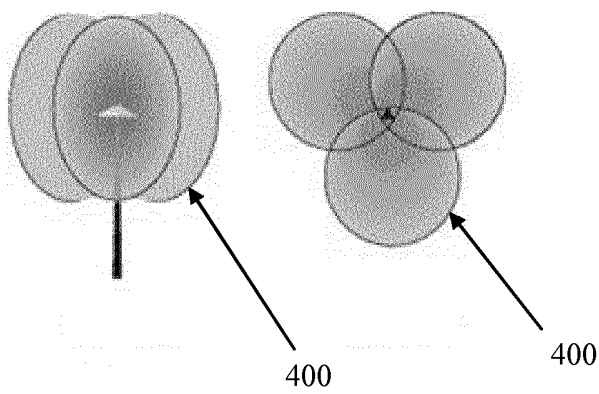


Figure 5

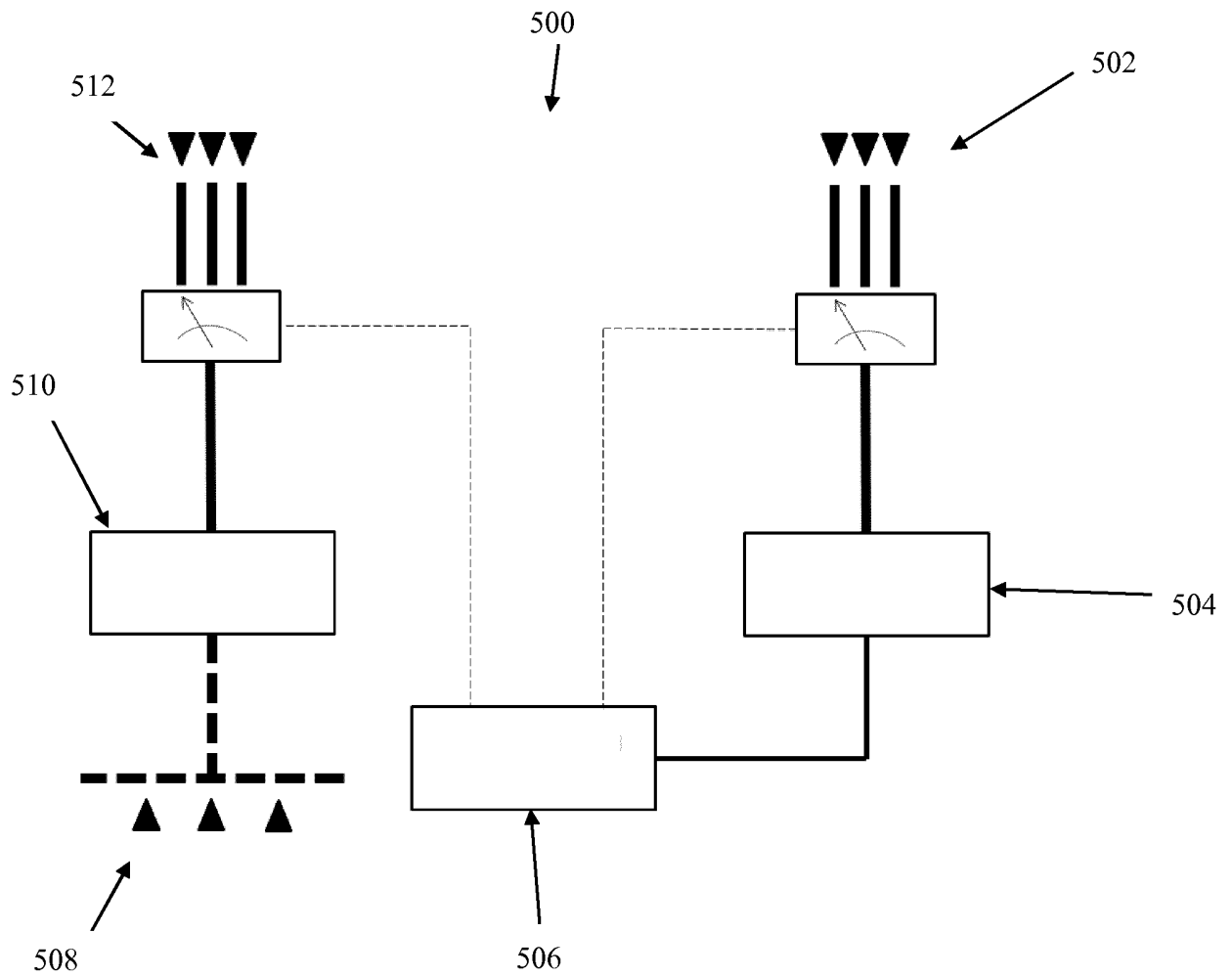
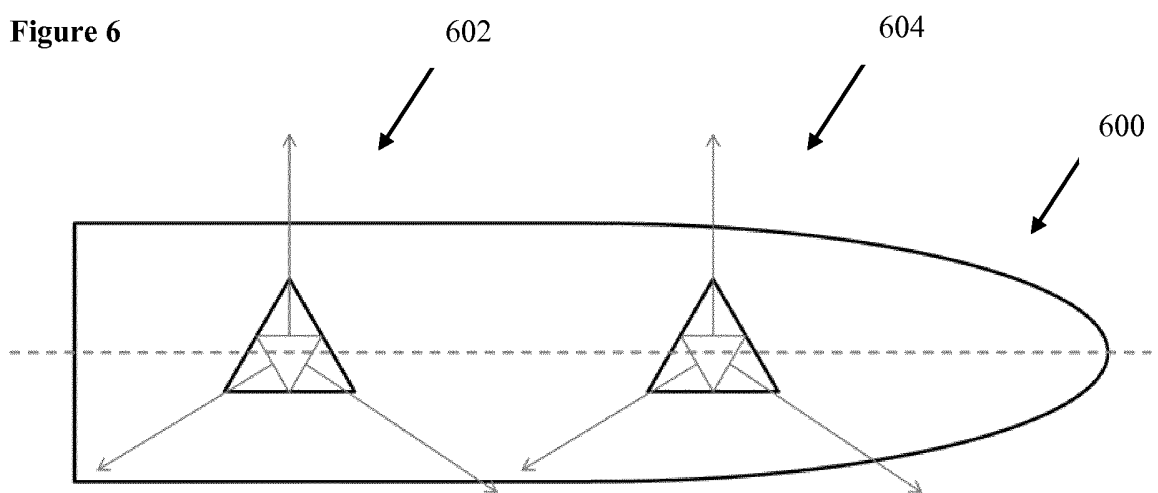


Figure 6



INTERNATIONAL SEARCH REPORT

International application No PCT/EP2015/078184

A. CLASSIFICATION OF SUBJECT MATTER INV. H04B7/15 H04B7/155 ADD.				
According to International Patent Classification (IPC) or to both national classification and IPC				
B. FIELDS SEARCHED				
Minimum documentation searched (classification system followed by classification symbols) H04B H01Q H04W				
Documentation searched other than minimum documentation to the extent that such documents are included in the fields searched				
Electronic data base consulted during the international search (name of data base and, where practicable, search terms used) EPO-Internal, WPI Data				
C. DOCUMENTS CONSIDERED TO BE RELEVANT				
Category*	Citation of document, with indication, where appropriate, of the relevant passages	Relevant to claim No.		
X	US 2010/297937 A1 (KIM DUK-YONG [KR]) 25 November 2010 (2010-11-25)	1-5, 10-26		
Y	abstract; claims 1,14; figures 4-7 paragraphs [0050] - [0051], [0053] - [0055]	6-9		

X	EP 1 333 596 A1 (HUTCHISON WHAMPOA THREE G IP [BS]) 6 August 2003 (2003-08-06)	1-5, 10-26		
Y	abstract; claims 1,7,8; figure 1 paragraphs [0002] - [0004], [0008] - [0010]	6-9		

X	US 7 123 911 B1 (NGAN JOHN CHEONG-WAI [US]) 17 October 2006 (2006-10-17)	1-5, 10-26		
Y	abstract; claims 16, 19-24; figures 1-2 column 3, line 34 - column 6, line 42 column 8, line 14 - column 9, line 26	6-9		

-/--				
<table style="width: 100%; border: none;"> <tr> <td style="width: 50%; border: none;"><input checked="" type="checkbox"/> Further documents are listed in the continuation of Box C.</td> <td style="width: 50%; border: none;"><input checked="" type="checkbox"/> See patent family annex.</td> </tr> </table>			<input checked="" type="checkbox"/> Further documents are listed in the continuation of Box C.	<input checked="" type="checkbox"/> See patent family annex.
<input checked="" type="checkbox"/> Further documents are listed in the continuation of Box C.	<input checked="" type="checkbox"/> See patent family annex.			
* Special categories of cited documents :				
"A" document defining the general state of the art which is not considered to be of particular relevance	"T" later document published after the international filing date or priority date and not in conflict with the application but cited to understand the principle or theory underlying the invention			
"E" earlier application or patent but published on or after the international filing date	"X" document of particular relevance; the claimed invention cannot be considered novel or cannot be considered to involve an inventive step when the document is taken alone			
"L" document which may throw doubts on priority claim(s) or which is cited to establish the publication date of another citation or other special reason (as specified)	"Y" document of particular relevance; the claimed invention cannot be considered to involve an inventive step when the document is combined with one or more other such documents, such combination being obvious to a person skilled in the art			
"O" document referring to an oral disclosure, use, exhibition or other means	"&" document member of the same patent family			
"P" document published prior to the international filing date but later than the priority date claimed				
Date of the actual completion of the international search	Date of mailing of the international search report			
27 January 2016	03/02/2016			
Name and mailing address of the ISA/ European Patent Office, P.B. 5818 Patentlaan 2 NL - 2280 HV Rijswijk Tel. (+31-70) 340-2040, Fax: (+31-70) 340-3016	Authorized officer Staeger, Rainer			

INTERNATIONAL SEARCH REPORT

International application No
PCT/EP2015/078184

C(Continuation). DOCUMENTS CONSIDERED TO BE RELEVANT		
Category*	Citation of document, with indication, where appropriate, of the relevant passages	Relevant to claim No.
X	US 2003/048770 A1 (PROCTOR JAMES A [US]) 13 March 2003 (2003-03-13)	1-5, 10-26
Y	abstract; claims 1,8; figure 3 paragraphs [0038] - [0042] -----	6-9
Y	US 2005/075139 A1 (SHAPIRA JOSEPH [IL]) 7 April 2005 (2005-04-07) claims 28-29; figures 9,12,13 -----	6-9

INTERNATIONAL SEARCH REPORT

Information on patent family members

International application No

PCT/EP2015/078184

Patent document cited in search report	Publication date	Patent family member(s)	Publication date
US 2010297937	A1	25-11-2010	JP 5095826 B2 12-12-2012
			JP 2011503998 A 27-01-2011
			KR 20090046579 A 11-05-2009
			US 2010297937 A1 25-11-2010
			WO 2009061136 A2 14-05-2009

EP 1333596	A1	06-08-2003	AU 2003200262 A1 14-08-2003
			CN 1436015 A 13-08-2003
			DK 1333596 T3 11-02-2013
			EP 1333596 A1 06-08-2003
			ES 2398954 T3 22-03-2013
			GB 2384652 A 30-07-2003
			HK 1055654 A1 13-04-2006
			NO 20030455 A 30-07-2003
			NZ 523876 A 24-09-2004
			US 2003166393 A1 04-09-2003

US 7123911	B1	17-10-2006	NONE

US 2003048770	A1	13-03-2003	BR 0212793 A 03-10-2006
			CA 2468021 A1 20-03-2003
			CN 1568585 A 19-01-2005
			EP 1436854 A2 14-07-2004
			JP 2005503061 A 27-01-2005
			KR 20040029174 A 03-04-2004
			KR 20070055634 A 30-05-2007
			MX PA04002364 A 25-07-2005
			NO 20041080 A 13-05-2004
			US 2003048770 A1 13-03-2003
			US 2004196822 A1 07-10-2004
			WO 03023895 A2 20-03-2003

US 2005075139	A1	07-04-2005	AU 6113198 A 22-09-1998
			AU 6228898 A 22-09-1998
			EP 0916195 A1 19-05-1999
			EP 1012994 A1 28-06-2000
			JP 2000509950 A 02-08-2000
			JP 2001513969 A 04-09-2001
			KR 20050098028 A 10-10-2005
			US 6640110 B1 28-10-2003
			US 6640111 B1 28-10-2003
			US 6697641 B1 24-02-2004
			US 2005075139 A1 07-04-2005
			WO 9839851 A1 11-09-1998
			WO 9839856 A1 11-09-1998
